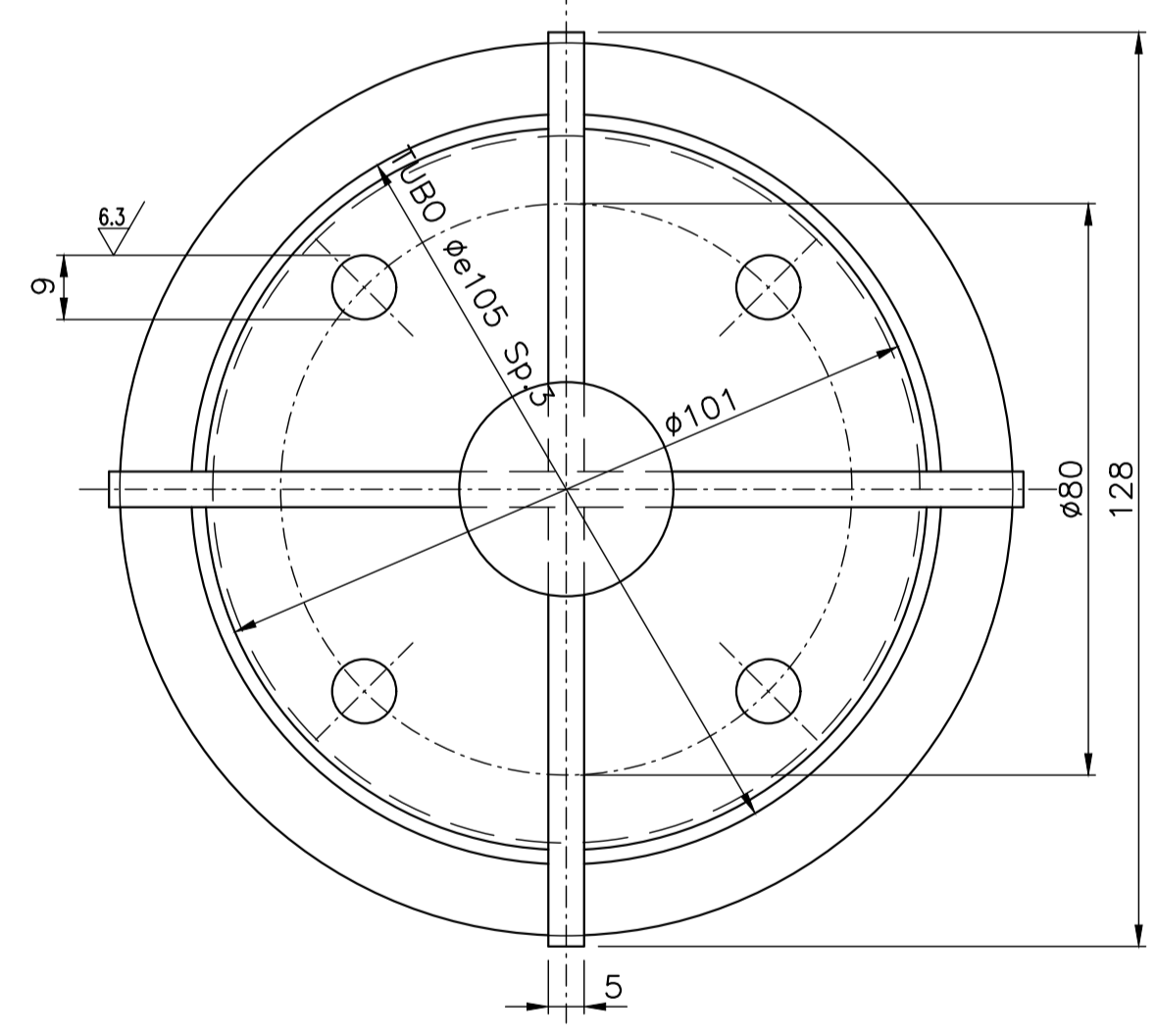


"C"
SCALA 1:1



00	07-02-18	EMESSO PER COSTRUZIONE ISSUED FOR CONSTRUCTION	NOP	DOW	MOG
Rev.	Date	Revisions description	Drawn	Checked	Approved
Job No.		No. of parts	Progr. No.		
Pattern DB.		Pattern code	Unit	Item	
Material		Heat treatment			
Classification / symbol		Mass (Kg)	J=m.r ² (Kg m ²)		
Title		RULLO TRASFERIMENTO RAFFREDDATO Ø150 RR/FF - FUSIONE WET TRANSFER ROLL Ø150 RR/FF - CASTING			Scale 1:2.5 Format A1
DANIELI drw number 6.403853.W		Revision 00	Nr. of sheets 001 Sheet 001		
<small>According to law DANIELI & C. SpA considers this document to be a company secret and therefore prohibits any person to reproduce it or make it known in whole or in part to other parties or to competitors without specific written authorization of DANIELI's Management File number</small>					

COMPUTER AIDED DESIGN